

Sarix Enhanced 4 and 4P Series Short and Long Bullet Cameras

2 MP

4 MP

6 MP

8 MP

The Sarix Enhanced 4 and 4P Series short and long bullet cameras introduce new analytic capabilities and set an even higher standard for security by simultaneously running multiple analytics. Extract more information and in greater detail to optimize threat detection and response efficiency.



Features

Protect More Things at Once



Leverage Pelco Smart Analytics, powered by Motorola Solutions, to detect human and vehicle events. Enhance capabilities further with advanced features such as crowd thresholds, basic feature identification, vehicle type differentiation, privacy masking¹, person crawling and audio analytics.²

Secured From the Inside Out



The Sarix Enhanced 4 and 4P Series camera ensures high data-security with onboard TPM, Secure Boot, and FIPs-140-2 level 3 compliance. Manufactured in North America, NDAA and TAA-compliant, it's an ideal choice for security-focused businesses and organizations.

Enhanced Clarity and Coverage



Capture crucial details and provide valuable evidence with clearer, sharper footage. Record up to 60 frames per second for fast-moving objects. Ensure optimal security day and night with wider dynamic range, split IR dome and IR illumination options.

Elevate Enabled



Enhance your camera management with cloud-based AI intelligence, seamlessly integrating with your existing system. Cut maintenance costs by automating camera checks and receiving notifications for image health or cloud connection changes.

Resilient in Every Condition



Save on maintenance and operational costs with the camera's durability. Handle even more extreme weather conditions with wider operating temperature ranges and IP66, 67, 68 and IK10/11 ratings.³

Increased Compatibility with Pelco Connect



Easily integrate Sarix Enhanced 4 with any third-party VMS using ONVIF S, G, T, and M conformance. Genetec and Milestone users have the ability to unlock analytics to their full potential with the introduction of Pelco Connect. This powerful add-on provides access to a range of advanced functionalities.

¹ Privacy masking to be available post-launch via a firmware upgrade.

² Crowd Threshold, Vehicle Subclasses and Facet Metadata capabilities will be dependent on VMS and configuration availability. Audio Analytics is not available on the 4P Series camera.

³ Environmental ratings may vary.

Specifications

Image Performance		2.0 MP	4.0 MP	6.0 MP	8.0 MP (4K Ultra HD)
Image Sensor		1/2.8" progressive scan CMOS	1/1.8" progressive scan CMOS		
Max Resolution (H x V) and Aspect Ratio	Primary	(16:9) 1920 x 1080	(16:9) 2688 x 1520, 2560 x 1440, 1920 x 1080 (4:3) 1984 x 1488	(16:9) 3328 x 1872, 3200 x 1800, 2688 x 1520, 2560 x 1440, 1920 x 1080 (4:3) 2880 x 2160, 2304 x 1728, 2048 x 1536	(16:9) 3840 x 2160, 3328 x 1872, 3200 x 1800, 3072 x 1728 (4:3) 2880 x 2160, 2560 x 1920
	Secondary	(16:9) 1920 x 1080*, 1280 x 720, 768 x 432, 640 x 360, 512 x 288	(16:9) 2688 x 1520*, 1920 x 1080, 1280 x 720, 768 x 432, 640 x 360, 512 x 288 (4:3) 1984 x 1488*, 1920 x 1440, 1600 x 1200, 1280 x 960, 768 x 576, 640 x 480, 512 x 384, 384 x 288;	(16:9) 3328 x 1872*, 1920 x 1080, 1280 x 720, 768 x 432, 640 x 360, 512 x 288 (4:3) 2880 x 2160*, 1920 x 1440, 1600 x 1200, 1280 x 960, 768 x 576, 640 x 480, 512 x 384, 384 x 288	(16:9) 3840 x 2160*, 2560 x 1440, 1920 x 1080, 1280 x 720, 768 x 432, 640 x 360, 512 x 288 (4:3) 2880 x 2160*, 2560 x 1920, 2304 x 1728, 1920 x 1440, 1600 x 1200, 1280 x 960, 768 x 576, 640 x 480, 512 x 384
	Tertiary	(16:9) 1280 x 720, 768 x 432, 640 x 360, 512 x 288, 384 x 216	(16:9) 1280 x 720, 768 x 432, 640 x 360, 512 x 288, 384 x 216 (4:3) 1280 x 960, 800 x 600, 640 x 480, 512 x 384, 368 x 264	(16:9) 1280 x 720, 768 x 432, 640 x 360, 512 x 288, 384 x 216 (4:3) 1280 x 960, 768 x 576, 640 x 480, 512 x 384, 384 x 288, 368 x 264	(16:9) 1920 x 1080, 1280 x 720, 768 x 432, 640 x 360, 512 x 288, 384 x 216 (4:3) 1920 x 1440, 1600 x 1200, 1280 x 960, 800 x 600, 640 x 480, 512 x 384, 384 x 288, 368 x 264
Dynamic Range	WDR Off	Up to 83 dB			
	WDR On (IEC 62676)	Up to 126 dB (dual exposure, 30 fps) Up to 144 dB (triple exposure, 20 fps or less)	Up to 106dB (dual exposure, 30 fps) Up to 136dB (triple exposure, 20 fps or less)	Up to 130dB (dual exposure, 30 fps)	
	WDR On	Up to 130 dB (dual exposure, 30 fps) Up to 150 dB (triple exposure, 20 fps or less)	Up to 120dB (dual exposure, 30 fps) Up to 144dB (triple exposure, 20 fps or less)	Up to 144 dB (dual exposure, 20 fps or less)	
Max Image Rate ¹		(50 Hz/60 Hz): 50 fps/60 fps in High Frame Rate Mode ² , otherwise 25 fps/30 fps		(50 Hz/60 Hz): 25 fps/30 fps	
Bandwidth Management		Pelco Smart Compression technology; Idle scene mode			
Signal-to-Noise Ratio(SNR)		> 50 dB			

*Only available at half frame rate of the primary stream.

¹ Max Frame Rate of 15 fps when classified object privacy masking is enabled.

² Max Frame Rate of 60 fps is only achievable with High Frame Rate mode enabled. High Frame Rate mode will disable analytics.

Lens and IR Illumination		Short Bullet		Long Bullet ²
		2.8 - 12 mm	4.4 - 9.3 mm	4.5 - 148.5 mm 6.9 - 214.6 mm
IR Illumination Max Distance ¹ (high power 850 nm LEDs)		50 m (164 ft), full tele 30 m (98 ft), full wide	70 m (229 ft), full tele 30 m (131 ft), full wide	170m (558 ft), full tele, 40m (131ft), full wide
Minimum Illumination	2 MP	With IR: 0 lux in monochrome mode Without IR: 0.003 lux in monochrome mode; 0.01 in color mode	N/A	With IR: 0 lux in monochrome mode Without IR: 0.004 lux in monochrome mode; 0.01 lux in color mode
	4 MP	N/A	With IR: 0 lux in monochrome mode Without IR: 0.003 lux in monochrome mode; 0.008 lux in color mode	With IR: 0 lux in monochrome mode Without IR: 0.004 lux in monochrome mode; 0.01 lux in color mode
	6 MP & 8 MP	N/A	With IR: 0 lux in monochrome mode Without IR: 0.006 lux in monochrome mode; 0.02 lux in color mode	With IR: 0 lux in monochrome mode Without IR: 0.008 lux in monochrome mode; 0.03 lux in color mode
Horizontal Angle of View Based on Aspect Ratio	2 MP	(16:9) 27° - 118°	N/A	(16:9) 3.4° - 61°
	4 MP	N/A	(16:9) 47° - 111° (4:3) 35° - 78°	(16:9) 2.9° - 62.5° (4:3) 2.2° - 47°
	6 MP & 8 MP	N/A	(16:9) 47° - 109° (4:3) 35° - 78°	(16:9) 2.9° - 62.5° (4:3) 2.2° - 48°
Vertical Angle of View Based on Aspect Ratio	2 MP	(16:9) 15° - 64°	N/A	(16:9) 1.9° - 37°
	4 MP	N/A	(16:9) 26° - 57° (4:3) 26° - 57°	(16:9) 1.6° - 36° (4:3) 1.6° - 36°
	6 MP & 8 MP	N/A	(16:9) 26° - 57° (4:3) 26° - 57°	(16:9) 1.6° - 36° (4:3) 1.6° - 36°
Max Aperture		F1.4	F1.3	F1.4
Control		Remote Zoom and Focus, Autofocus, IR Cut Filter		

¹ IR illumination power may be reduced at higher operating temperatures.

² Minimum Illumination with IR was measured at F/1.4.

Image Control	
Image Compression Method	H.264, H.265, Motion JPEG, Pelco Smart Compression
Streaming	Multi-stream H.264, Multi-stream H.265, Motion JPEG
Motion Detection	Pixel motion: Selectable sensitivity and threshold. Classified object detection
Camera Tamper Detection	Yes
Electronic Shutter Control	Automatic, Manual (1/7.5 to 1/15000 sec)
Iris Control	Automatic, Open, Closed
Day/Night Control	Automatic, Manual, External
Flicker Control	60 Hz, 50 Hz
White Balance	Automatic, Manual
Backlight Compensation	Adjustable
Image Rotation	0°, 90°, 180°, 270° including Corridor Mode
Privacy Zones	Up to 64 zones

Network	
Network	100BASE-TX for SRXE4, 1000BASE-T for SRXE4P
Cabling	CAT5e
Connector	RJ-45
ONVIF	ONVIF® compliance Profile S, Profile T, Profile M and Profile G (www.onvif.org)
Security	Password protection, HTTPS encryption, digest authentication, WS authentication, user access log, 802.1x port based authentication, FIPS 140-2 L1 (with optional camera license), onboard FIPS 140-2 L3 certified TPM, Secure Boot
Protocols	IPv6, IPv4, HTTP, HTTPS, SOAP, DNS, NTP, RTSP, RTCP, RTP, TCP, UDP, IGMP, ICMP, DHCP, Zeroconf, ARP, HSTS
Streaming Protocols	RTP/UDP, RTP/UDP multicast, RTP/RTSP/TCP, RTP/RTSP/HTTP/TCP, RTP/RTSP/HTTPS/TCP, HTTP
Device Management Protocols	SNMP v2c, SNMP v3

Peripherals	
USB Port	USB 2.0
Onboard Storage ³	Two microSD/microSDHC/microSDXC slots - video speed class card required. Class V10 or better recommended.

³ Tested maximum capacity is 1.5TB.

Auxiliary I/O	
Audio Compression Method	G.711 PCM 8 kHz, Opus
Audio Input/Output	Line level input and output
External I/O Terminals	1 x Relay In, 1 x Relay Out, 1 x 12 VDC out at 50 mA
Microphone	Built-in microphone for audio analytics, for certain variants, with physical disable switch

Mechanical		Short Bullet	Long Bullet
Dimensions (LxWxH)		309 mm x 133 mm x 133 mm; 12.16" x 5.23" x 5.23"	407 mm x 137 mm x 138 mm; 16.02" x 5.39" x 5.43"
Weight	Camera	2.11 kg; 4.65 lbs	2.92 kg; 6.43 lbs
	Wall Plate	0.15 kg; 0.33 lbs	
Body		Polycarbonate and aluminum	
Housing		Backbox Mount	
Finish		High polished plastic injection mold; Powdercoat grey, pantone 427C	
Adjustment Range		Hinge +/- 90°, Rotation +/- 175°	

Electrical		Short Bullet	Long Bullet
Power Consumption		25W Max	
Power Source	PoE	IEEE 802.3af Class 3	
	PoE+	IEEE 802.3at Class 4	
IR Illuminator Behavior	PoE	Above 60 °C (140 °F), IR will be disabled. Between -5 °C (23 °F) and 55 °C (131 °F), IR operates at 30% power. Below -20 °C (-4 °F), IR operates at 10% power. Hysteresis at 5 °C (9 °F).	Above 60 °C (140 °F), IR will be disabled. Between -5 °C (23 °F) and 55 °C (131 °F), IR operates at 30% power. Below -20 °C (-4 °F), IR operates at 10% power. Hysteresis: 5 °C (9 °F).
	PoE+ or Aux Power	Above 60 °C (140 °F), IR will be disabled. Between 50 °C (122 °F) and 60 °C (140 °F), IR operates at 50% power. Below -20 °C (-4 °F), IR operates at 50% power. Hysteresis at 5 °C (9 °F).	Above 60 °C (140 °F), IR will be disabled. Between 50 °C (122 °F) and 60 °C (140 °F), IR operates at 60% power. Below -20 °C (-4 °F), IR operates at 60% power. Hysteresis: 5 °C (9 °F).
External Power		12-24 VDC +/-10%	
RTC Backup Battery		3V manganese lithium	
Memory		4GB RAM, 4GB Flash	
Redundant Power		Seamless failover between PoE and Aux and back without interrupt in camera operation (for SRXE4P only)	

Environmental

Operating Temperature	-50°C to +65°C (-40°F to 149°F)
Startup Temperature	-40°C to +65°C (-40°F to 149°F)
Absolute Maximum Temperature	74°C (165°F) per NEMA TS2 (Temp.) para 2.2.7.2 - 2.2.7.7
Storage Temperature	-10°C to +70°C (14°F to 158°F)
Humidity	0 - 100% non-condensing

Certifications

Certifications/Approvals	UL, cUL, CE, ROHS, RCM, UKCA, NOM, KC, BIS	
Safety Standards	UL 62368-1, CSA 62368-1, IEC/EN 62368-1, IEC 62471	
Environmental Standards/Ratings	SRXE4	IEC 60529 IP66, IP67, IP68 (1.8m depth for 2 hours), NEMA 4X, IEC 60068-2 Shock & Vibration, NEMA TS2 Sec 2.2.7-2.2.9, IK10
	SRXE4P	IEC 60529 IP66, IP67, IP68 (1.8m depth for 2 hours), IPX9K, NEMA 4X, IEC 60068-2 Shock & Vibration, NEMA TS2 Sec 2.2.7-2.2.9, IK10
Electromagnetic Emissions Standards	FCC Part 15 Subpart B Class B, ICES-003 Class B, EN 55032 Class B, EN 61000-6-3, EN 61000-3-2, EN 61000-3-3, EN 50121-4, EN 50130-4	
Electromagnetic Immunity Standards	EN 55035, EN 61000-6-1, EN 50121-4, EN 50130-4	
Warranty	Limited 5 Year Warranty ¹	

¹ For more information on the warranty, see [Product Warranty Terms](#).

Analytics Specifications

Supported Analytics Events	
Objects in Area	The event is triggered when the selected object type moves into the region of interest.
Object Loitering	The event is triggered when the selected object type moves into the region of interest and then stays for an extended amount of time.
Objects Crossing Beam	The event is triggered when the specified number of objects have crossed the directional beam that is configured over the camera's field of view. The beam can be unidirectional or bidirectional.
Object Appears or Enters Area	The event is triggered by each object that enters the region of interest. This event can be used to count objects.
Object Not Present in Area	The event is triggered when no objects are present in the region of interest.
Objects Enter Area	The event is triggered when the specified number of objects have entered the region of interest.
Objects Leave Area	The event is triggered when the specified number of objects have left the region of interest.
Object Stops in Area	The event is triggered when an object moves into a region of interest and then stops moving for the specified threshold time.
Direction Violated	The event is triggered when an object moves in the prohibited direction of travel.
Smart Motion Rule	Events are sent for person (including crawling) and vehicle present, against default unchangeable parameters.
Tamper Detection	The event is triggered when the scene unexpectedly changes.
Crowd Size	This event is triggered when the number of people is exceeded over a configurable duration.
Unusual Crowd Growth	This event is triggered when a crowd size grows unexpectedly.
Unusual Crowd Size	This event is triggered when an unusual crowd size is detected.

Analytics capabilities, including detection range, may vary by camera line. Please consult the Pelco Smart Analytics Design Guide for details specific to the Sarix Enhanced 4 Series.

Supported Classified Object Types	
Object Types in Outdoor Mode	Vehicle, sub-types: Car, Pickup Truck, Large Truck, Van, Bicycle, Motorcycle, Bus Person
Object Types in Indoor Mode	Person

Supported Audio Analytics Events	
Gunshot ¹	Up to 100 meters
Scream	Up to 15 meters
Glass Break	Up to 15 meters
Car Alarm	Up to 30 meters
Smoke Alarm	Up to 15 meters
Dog Bark	Up to 15 meters
Loud Noise	Up to 40 meters
Ultrasonic Panic Alarm ²	Up to 40 meters

¹ Optional add-on license required.

² The detection range is influenced by the quality and power of the device used to create the panic alarm.

Pelco Elevate Supported Features	
Image Health	Detects incremental changes in the cameras view, such as position shifts or obstructions. Notifies users through ONVIF conformant events and summarized email reports.

VideoXpert Supported Features	
3.22	Support for video analytic events without vehicle sub-classes.
3.23 or higher	Support for crowd detection, audio analytics and video analytic events with vehicle sub-classes.

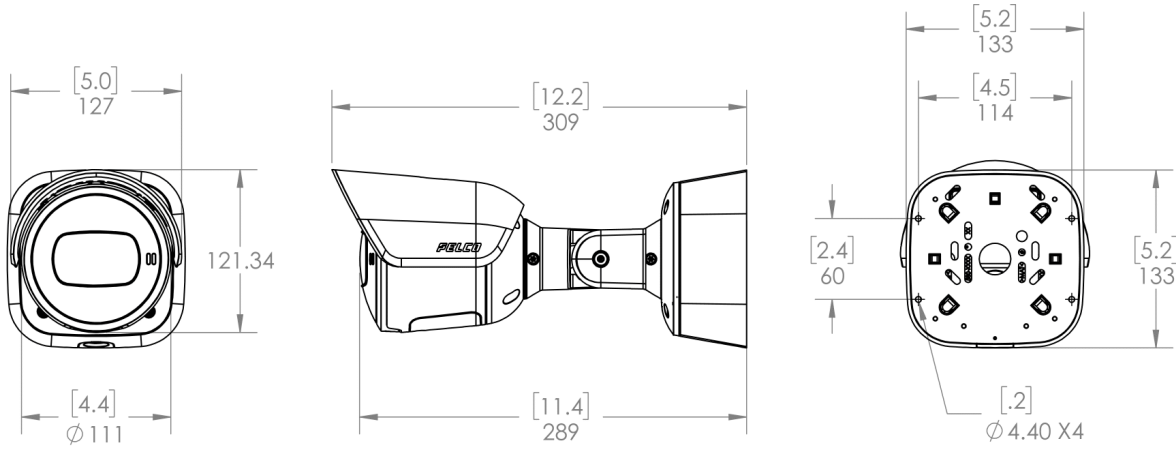
Pelco Connect Supported Features

Genetec	Support for Pelco Forensic Search and Analytics Configuration with the Genetec plugin.
Milestone	Support for Pelco Forensic Search and Analytics Configuration with the Milestone plugin.

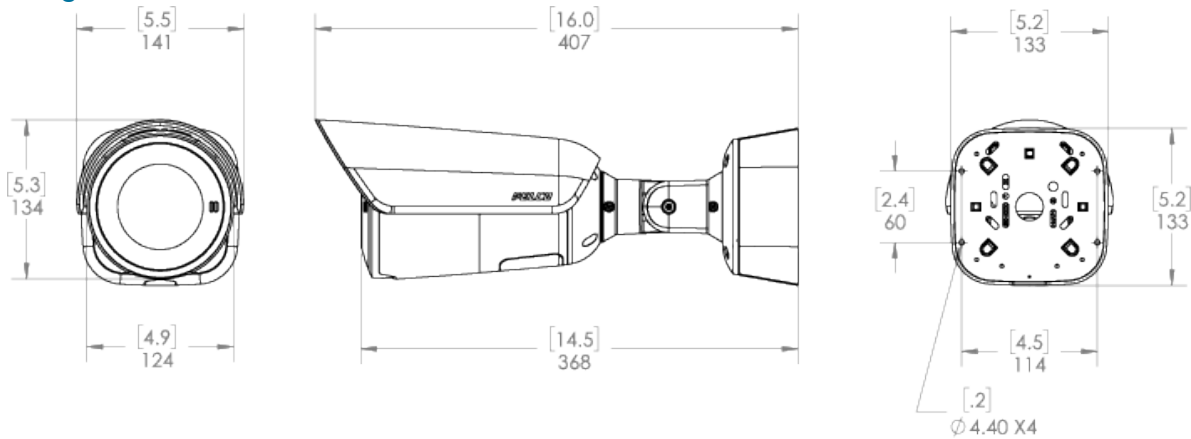
Outline Dimensions

Short Bullet Camera

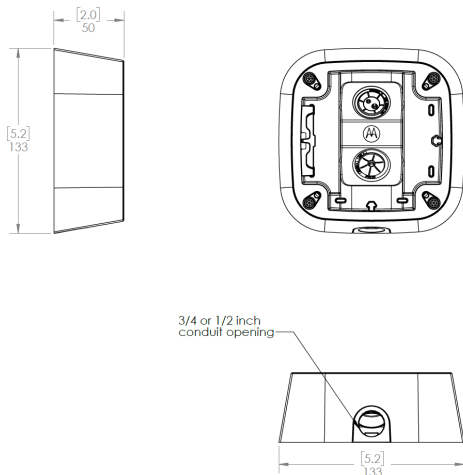
[X.X]	INCHES
X	MM



Long Bullet Camera



Junction Box



Ordering Information

Bullet Camera

Model	MP	WDR	SureVision Technology	Lens	IR	Analytics	Smart Compression	Microphone	Seamless Failover
SRXE4-2V12-EBT-IR1	2.0	✓	✓	2.8 - 12 mm	✓	✓	✓	✓	
SRXE4-2X33-EBT-IR1	2.0	✓	✓	4.5 - 148.5 mm	✓	✓	✓	✓	
SRXE4-4V9-EBT-IR1	4.0	✓	✓	4.4 - 9.3 mm	✓	✓	✓	✓	
SRXE4-4X31-EBT-IR1	4.0	✓	✓	6.9 - 214.6 mm	✓	✓	✓	✓	
SRXE4-6V9-EBT-IR1	6.0	✓	✓	4.4 - 9.3 mm	✓	✓	✓	✓	
SRXE4-6X31-EBT-IR1	6.0	✓	✓	6.9 - 214.6 mm	✓	✓	✓	✓	
SRXE4-8V9-EBT-IR1	8.0	✓	✓	4.4 - 9.3 mm	✓	✓	✓	✓	
SRXE4-8X31-EBT-IR1	8.0	✓	✓	6.9 - 214.6 mm	✓	✓	✓	✓	
SRXE4P-4V9-EBT-IR1	4.0	✓	✓	4.4 - 9.3 mm	✓	✓	✓		✓
SRXE4P-4X31-EBT-IR1	4.0	✓	✓	6.9 - 214.6 mm	✓	✓	✓		✓
SRXE4P-8V9-EBT-IR1	8.0	✓	✓	4.4 - 9.3 mm	✓	✓	✓		✓
SRXE4P-8X31-EBT-IR1	8.0	✓	✓	6.9 - 214.6 mm	✓	✓	✓		✓

Bullet Camera Accessories

SRXE4-EBTSLD	Replacement BO1 bullet sunshield
SRXE4-EBT2SLD	Replacement BO2 bullet sunshield
CBLKIT-1011	USB adapter cable, for use with USB-AC56 Wifi install kit
USB-AC56-NA-MSI	USB Wifi adapter install kit (North America)
USB-AC56-EU-MSI	USB Wifi adapter install kit (Europe)
PLMT-1001	Pole mount adapter
CRNMT-1001	Corner mount adapter
CAM-FIPS	Camera license to enable FIPS cryptographic module.

Support

Learn more and find additional documentation at pelco.com or email support@pelco.com for specific product support.



Feb 2024 | | Rev 2

© 2024, Motorola Solutions, Inc. All rights reserved. MOTOROLA, MOTO, MOTOROLA SOLUTIONS, and the Stylized M Logo are trademarks or registered trademarks of Motorola Trademark Holdings, LLC and are used under license. Pelco, the Pelco logo, and other trademarks associated with Pelco products referred to in this publication are trademarks of Pelco, Inc. or its affiliates. All other product names and services are the property of their respective companies. Product specifications and availability are subject to change without notice.